

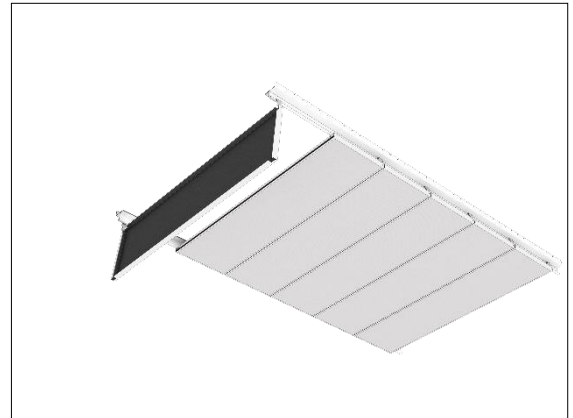


## LMD-E 312

### Hook-On-Swing-Down-Slide corridor ceiling


A concealed Hook-On construction with shadow gap characterises this corridor ceiling. An adjustable wall connection with Hook-On ceiling panels enables a compensation of tolerances on the wall. For maintenance works, each ceiling panel can be removed or swung down and slid without the need for any tools.

- freely spanned construction
- compensation of tolerances on the wall is possible due to an adjustable wall connection
- easy maintenance option due to ceiling panels that can be individually operated, swung down and slid without tools
- hygienic and easy to clean





## Ceiling elements

<b>LMD-E 312 Type 1</b>			
<b>Hook-On</b>			
Length (L)	250 - 3,000 mm		
Width (B)	200 - 1,250 mm		
Height (H)	30, 40, 50 mm		
Adjustment range (V)	10 - 35 mm		
<b>LMD-E 312 Typ 2</b>			
<b>Hook-On, Swing-Down option &lt;1.2 m²</b>			
Length (L)	250 - 3,000 mm		
Width (B)	200 - 1,250 mm		
Height (H)	30, 40, 50 mm		
Adjustment range (V)	10 - 35 mm		
<b>LMD-E 312 Typ 3</b>			
<b>Hook-On, Swing-Down option</b>			
Length (L)	250 - 3,000 mm		
Width (B)	200 - 1,250 mm		
Height (H)	30, 40, 50 mm		
Adjustment range (V)	10 - 35 mm		

## Technical data

Material	galvanised sheet steel
Weight	approx. 8 - 10 kg/m <sup>2</sup> (without fixtures/installations)
Serviceability	swing-down and slide option without tools or removable
Wall connection options	L-angle, hook-on profile



## Component list

1	ceiling panel
14/15/16/17	screwing
22	Z-hook-on profile 54
150	L-wall profile 43x65



## Acoustics

### Room acoustics

Rated sound absorption coefficient	DIN EN ISO 11654	$\alpha_w$	0.15 - 1.00
Sound absorber class	DIN EN ISO 11654		E - A
Noise Reduction Coefficient	ASTM C 423	NRC	0.15 - 0.95

## Fire Protection

### Building material class

Building material class (COLOURline A1)	DIN EN 13501-1	A1
Building material class (COLOURline)	DIN EN 13501-1	A2 - s1, d0
Building material class	ASTM E 84	Class A

### Fire stability

Fire stability	NBN 713.020	45 minutes
----------------	-------------	------------

## Durability

Exposure class	DIN EN 13964	A
----------------	--------------	---

## Sustainability

Product self-declaration	Self-declaration according to ISO 14021
Environmental product declaration	EPD according to EN 15804 / ISO 14025
Circular Economy	Cradle to Cradle Certified® Gold
French VOC Regulation	Emission class A+



### Safety protection

Explosion Protection	up to 63 kPa blast pressure
----------------------	-----------------------------

### Statics

Seismic Safety	qualification according to AC 156/Eurocode/SIA 261
----------------	--

### Certification

CE marking	The ceiling system is a harmonised construction product acc. to regulation (EU) No. 305/2011 (Construction Products Regulation) and EN 13964: Suspended ceilings - Requirements and test methods.
TAIM e.V.	The ceiling system fulfils the requirements of the "Technical Manual Metal Ceilings" (TMMC) of TAIM e.V. (Association of Industrial Metal Ceiling Manufacturers).

### Surfaces

Powder coatings	<u>COLOURline - Powder coating</u> <u>COLOURline A1 - Powder coating non-combustible</u> <u>MOODline - Powder coating, deep matt</u> <u>ARTline - Decorative powder coating</u> <u>GRAPHICline - Digital print</u>
Perforation	<u>BASICline - Standard perforations</u> <u>REGULARline - Further perforations</u> <u>SPREADline - Scattered perforations</u>
Design surfaces	<u>TOUCHdesign Lunar - 3D hammered</u>
Functional coatings	<u>Meteo - Corrosion protection coating</u> <u>Mutex - Acoustic coating</u>

### Additional equipment

Acoustic inlays	<u>Acustica - Acoustic fabric inlay</u> <u>Insula - Mineral wool inlay in acoustic foil</u> <u>Calma - Glass yarn inlay in textile cover</u>
Ventilation components	<u>AirBox S - Supply air elements</u> <u>AirBox E - Exhaust air elements</u> <u>AirBeam Basic - Standard Heated/Chilled beam</u> <u>AirBeam Discreet - Discreet Heated/Chilled beam</u>
Luminaires	<u>IS 17 - Integrated luminaire for general areas</u> <u>IS 22 - Integrated luminaire for monitor work stations</u> <u>IS 450 - Integrated luminaire for office and general areas</u> <u>LK 73 - Light channel</u> <u>QZI - Integrated luminaire with cell louvres</u> <u>DPL - Integrated luminaire for post cap ceilings</u>
Heating and cooling function	System with integrated heating and cooling technology is available: <u>Plafotherm® E 312</u>
Fire protection	System with tested fire resistance class is available: <u>F30 Hook-On-Swing-Down-Slide</u> <u>EI30 Hook-On-Swing-Down-Slide</u> <u>EI30-VKF Hook-On-Swing-Down-Slide</u> <u>F90 Hook-On-Swing-Down-Slide</u> <u>EI90 Hook-On-Swing-Down-Slide</u> <u>EI90-VKF Hook-On-Swing-Down-Slide</u>



## Application examples

---



© Robert Sprang

## Project solutions

---

This product data sheet refers to the standard version of the product mentioned above. We would be happy to work with you to find the right solution for your project. Adapted to your building project, you will receive a perfectly matched system. Project-specific constructions and adaptations can be found in the offer documents.