



Recessed downlight for plasterboard ceilings, equipped with LED technology.

Housing is made of sheet steel, colour acc. to RAL 9016.

Light is distributed via an organic reflector.

Ceiling cut-out: Ø 87 mm
Integration depth: 200 mm

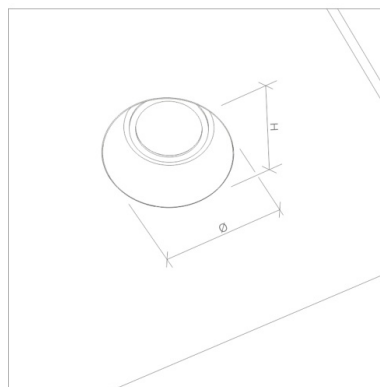
Production with different light angles possible.

Type	Lumen Output	System Power	Dimension (Ø x h)
ODL 0.5	830 Lumen	12 Watt	81 x 85 mm

Technical Data:

Voltage:	220-240 V / 50-60 Hz
Protection class:	1
Protection type:	IP20
Ballast:	switchable
Cover:	reflector
Colour:	RAL 9016
Light colour:	4.000K
Colour Rendering:	RA>80

Dimension Drawing:



Options:

Ballast DALI dimmable
Light colour 3.000K
Housing acc. to RAL card